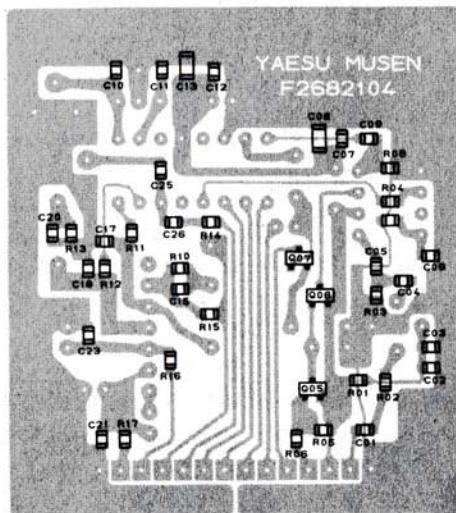
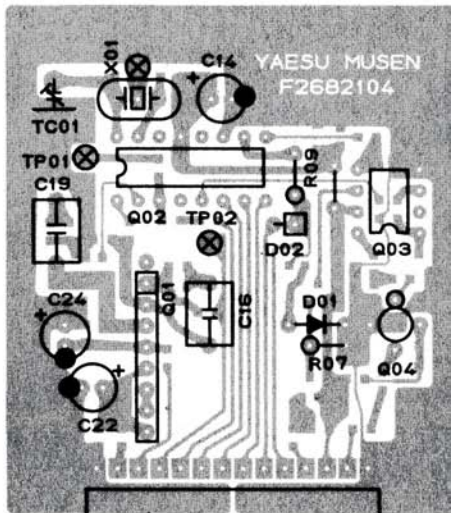


# PLL UNIT PARTS LAYOUT

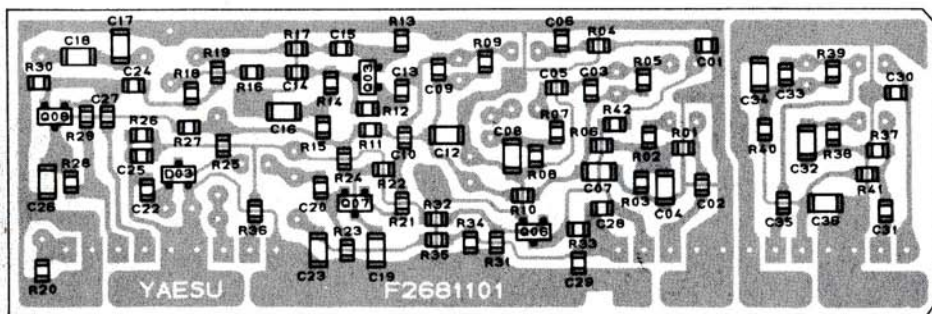


(obverse view of "chip-only" side)

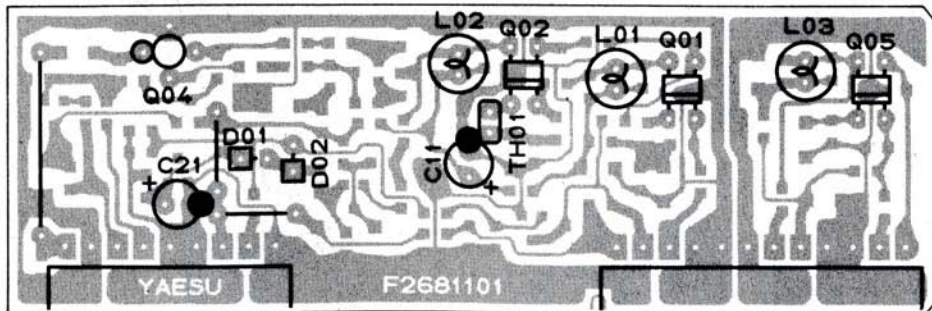


(reverse view of "component" side)

# SSB, AM UNIT PARTS LAYOUT



obverse view of  
"chip-only" side



reverse view of  
"component" side