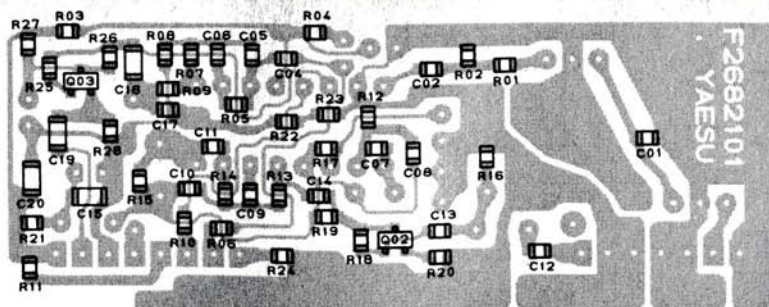
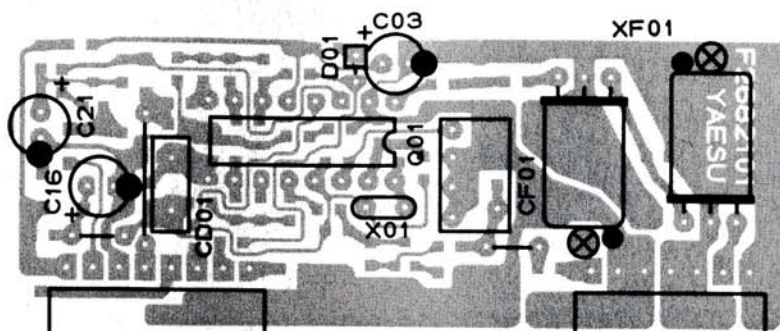


NARROW FM UNIT PARTS LAYOUT

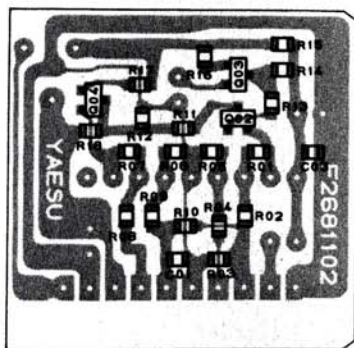


obverse view of
"chip-only" side

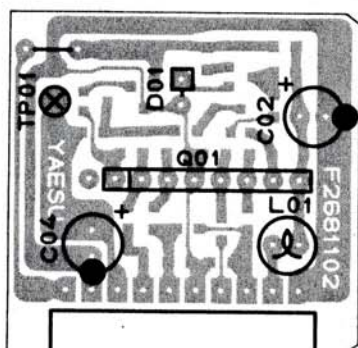


reverse view of
"component" side

RF AGC UNIT PARTS LAYOUT



(obverse view of "chip-only" side)



(reverse view of "component" side)

